



广东圣恩迪实业有限公司

GuangDong S&D Industrial Co.,Ltd

Tel:0769-27280272

Fax:0769-27280273

Http:www.send-tech.com&www.sdconnector.com

E-mail:sales@send-tech.com

# 规格书 SPECIFICATION

产品名称 Product Name

40A 双极连接器

规格型号 Part No

SE40 Series

一、尺寸结构 Outline and dimensions: 见连接器图纸 Outline and dimensions of the connector is shown on the following drawing

二、技术参数 Technical Parameters:

1. 产品特性要求 Product Specifications

1-1.额定电流(安培)Rated current(Ampere) : 40A

1-2.额定电压(伏特)Rated voltage(Volts) : 600V

1-3.绝缘电阻 Insulation Resistance:>9900M Ω

1-4.接触电阻 (微欧) average contact Resistance(micro-ohms):<500m Ω

1-6.寿命 Life:

a.空载状态 (连接/断开次) Without load(Contact/Disconnect Cycles) :To 10000

1-7. 防火等级 Flammability:UL94 V-0

1-8.插拔力 Average. Connection/disconnect(N):

a.成品插入力 The insertion force of finished products : ≥0.5kgf

b.成品拨出力 The pullout force of finished products: ≥1kgf

c.线材与端子拉拔力, 参考同规 UL 标准.The pulling capacity between wire and terminal, It' s in line with UL standard

1-9.连接导线尺寸 (AWG) Contact Barrel Wire Size(AWG):6~ 12AWG

1-10.端子保持力 Connector holding force(LBF) :250N Min

1-11.环境温度 (°C) Environment Temperatures(°C):-20°C ---75°C

2.材料及表面处理 Material and Surface performance

2-1.端子材料 Material of terminal:紫铜 Red copper

2-2.生产工艺 Process of production:精密冲压 Precision punching

2-3.表面处理: 镀银 0.5μm ,Fully Ag-plating on surface, it's Ag-plating thickness is 0.5μm

2-4.弹片 Shrapnel:不锈钢 Stainless steel

2-5.生产工艺 Process of production:精密冲压 Precision punching

2-6.胶壳 Housing: 材料 Material PC

2-7. 生产工艺 Process of production:注塑成型 Plastic Injection

三、包装储存 (Packing and Storage)

1.胶壳最小包数 100PCS/袋, 端子最小包装 200PCS/袋, 配用方式: 一对一.Standard packing qty:100pcs/bag for connector;200pcs/bag for terminal; mate with way:1connector uses 1 terminal.

2.产品储存环境温度: 5-30°C, 相对湿度在 80%以下, 周围空气中无酸, 碱等腐蚀气体的仓库中, 储存期为两年.The products storage condition:temperature: 5-30°C ,relative humidity:80%,store in no acidic nor alkaline and no corrosive atmosphere warehouse,storage period:2 years.

# 规格书 SPECIFICATION

产品名称 Product Name

40A 双极连接器

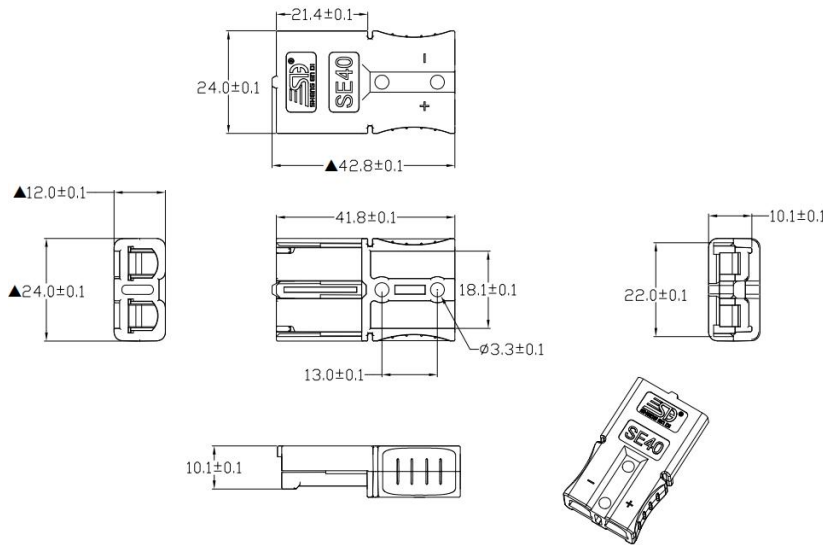
规格型号 Part No

SE40 Series

## 四、Ordering Information

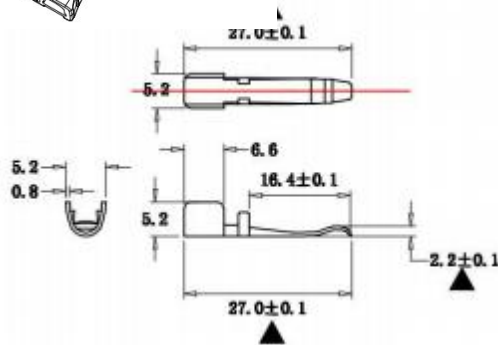
### 1. Housing

Part Number	Housing Color	Part Number	Housing Color
SE40H-BL	Black	SE50H-GR	Green
SE40H-BR	Brown	SE50H-BU	Blue
SE40H-RE	Red	SE50H-PU	Purple
SE40H-OR	Orange	SE50H-GY	Gray
SE40H-YE	Yellow	SE50H-WH	White



### 2. Terminal

Part Number	Wire	Plating
SGD5912-T	10/16AWG	Ag



Item	Name	QTY	Material	Remarks				
1	Housing	1	PC					
2	Shrapnel	2	Stainless steel					
3	Terminal	2	Red copper	Ag-plating				
Revision	Change the content			Date	Producer	Corrector	Approved	
R1				2018.4.24	Anne	Jack	David Xiao	
							Proportion	1:1
							Unit	MM